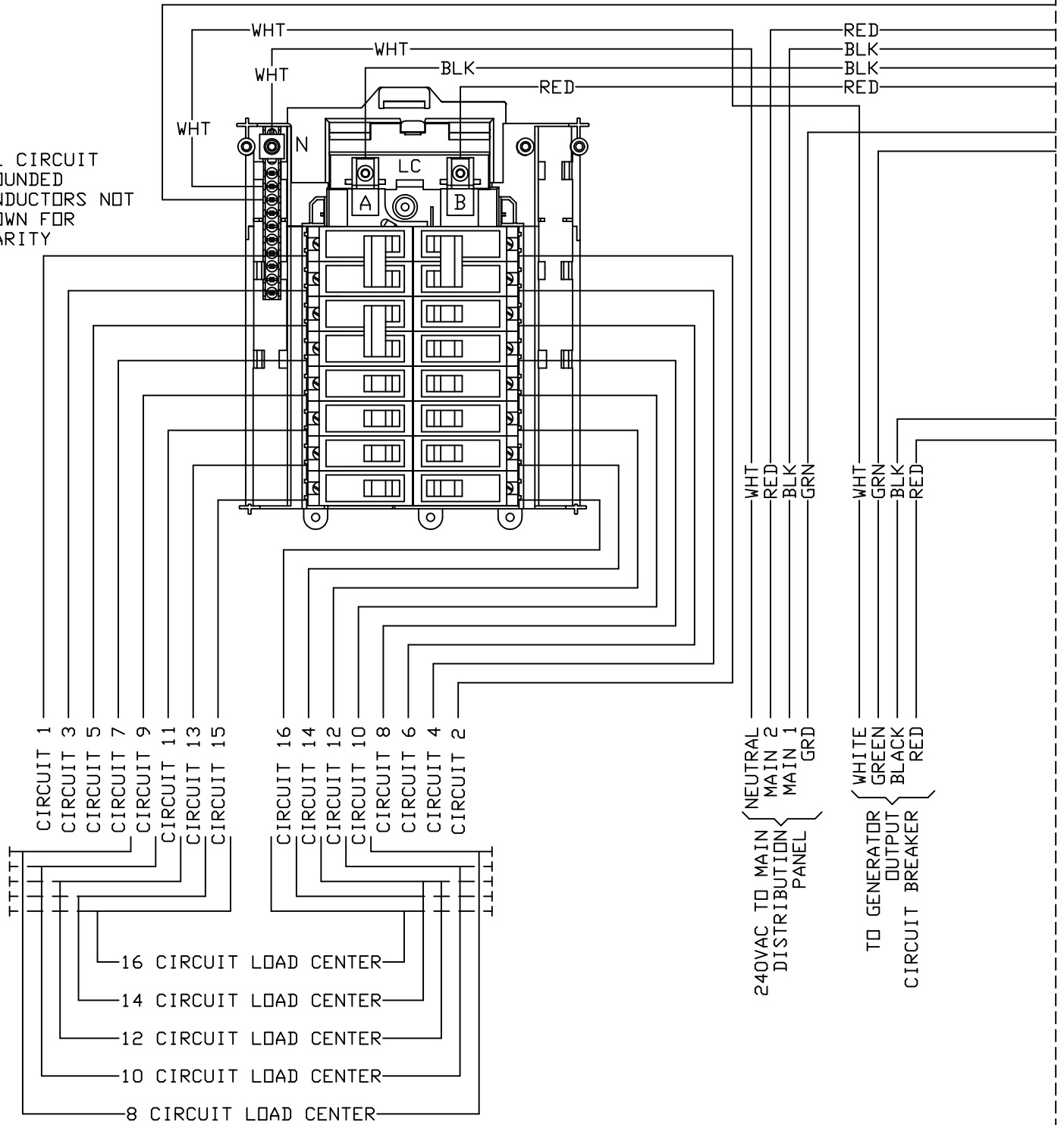
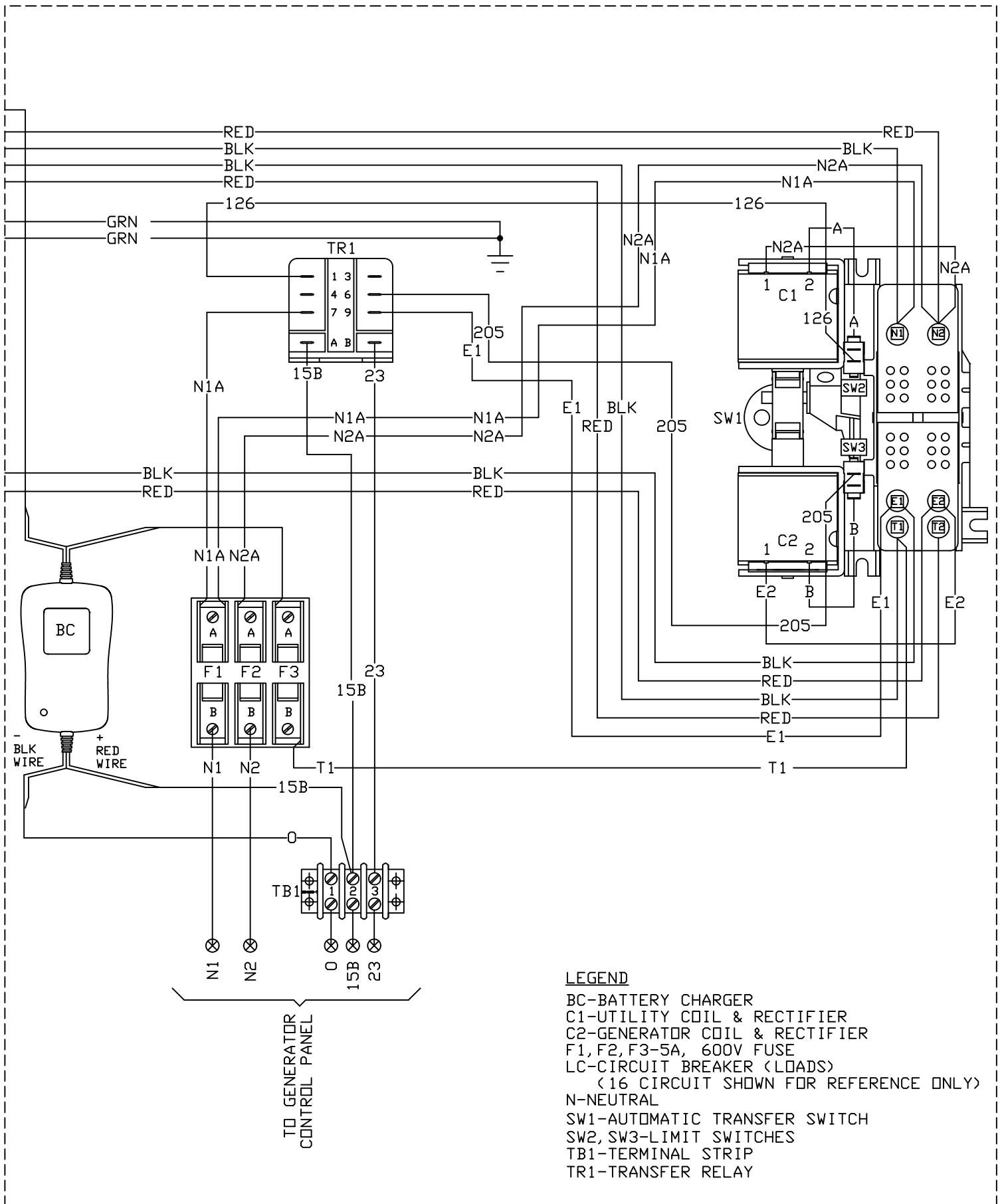


ALL CIRCUIT  
GROUNDED  
CONDUCTORS NOT  
SHOWN FOR  
CLARITY





**LEGEND**

- BC-BATTERY CHARGER
- C1-UTILITY COIL & RECTIFIER
- C2-GENERATOR COIL & RECTIFIER
- F1, F2, F3-5A, 600V FUSE
- LC-CIRCUIT BREAKER (LOADS)  
(16 CIRCUIT SHOWN FOR REFERENCE ONLY)
- N-NEUTRAL
- SW1-AUTOMATIC TRANSFER SWITCH
- SW2, SW3-LIMIT SWITCHES
- TB1-TERMINAL STRIP
- TR1-TRANSFER RELAY