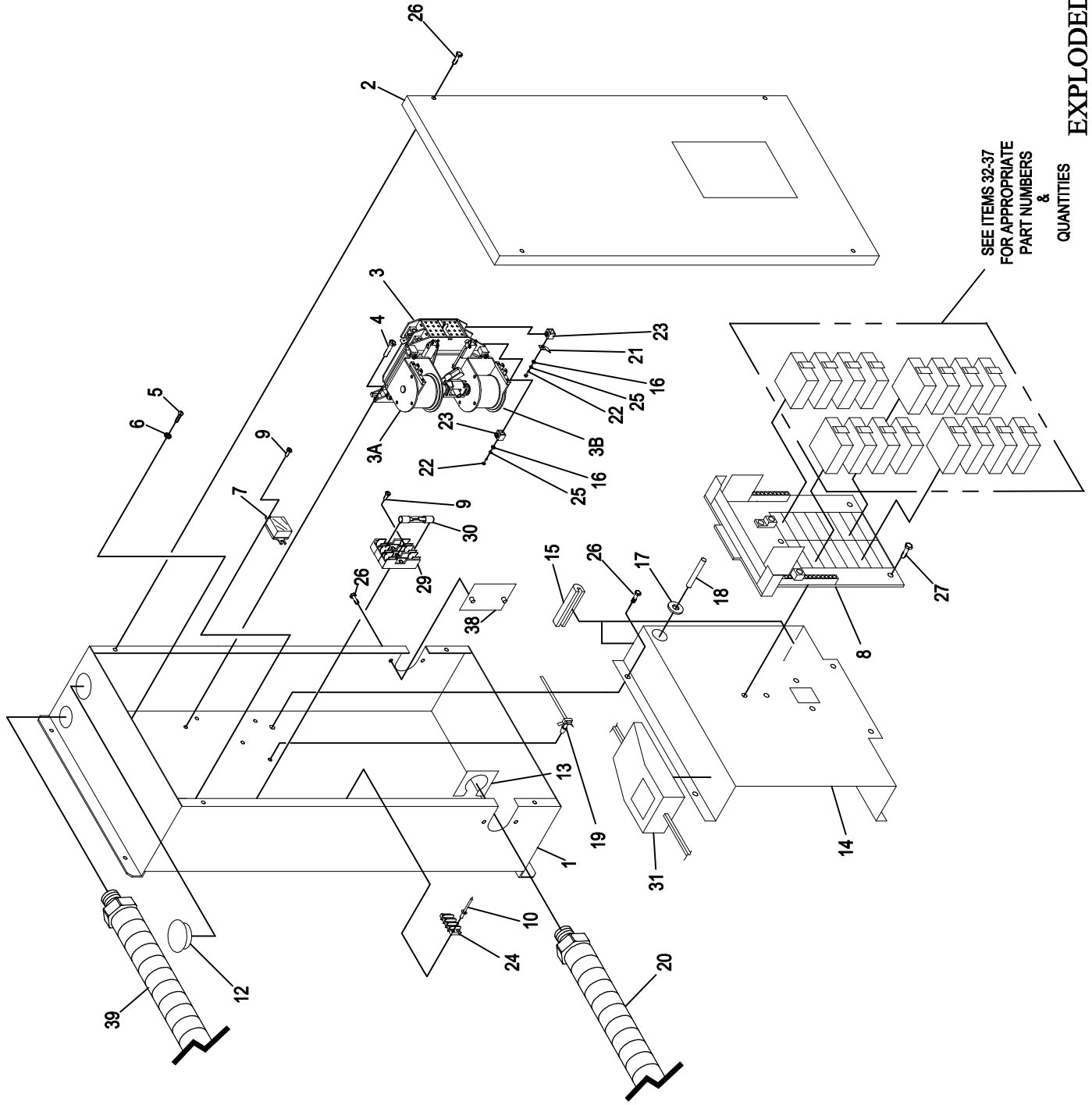


GROUP D



SEE ITEMS 32-37
FOR APPROPRIATE
PART NUMBERS
&
QUANTITIES

EXPLODED VIEW:
GTS LOAD CENTER
DRAWING #: 0G8786

EXPLODED VIEW: GTS LOAD CENTER

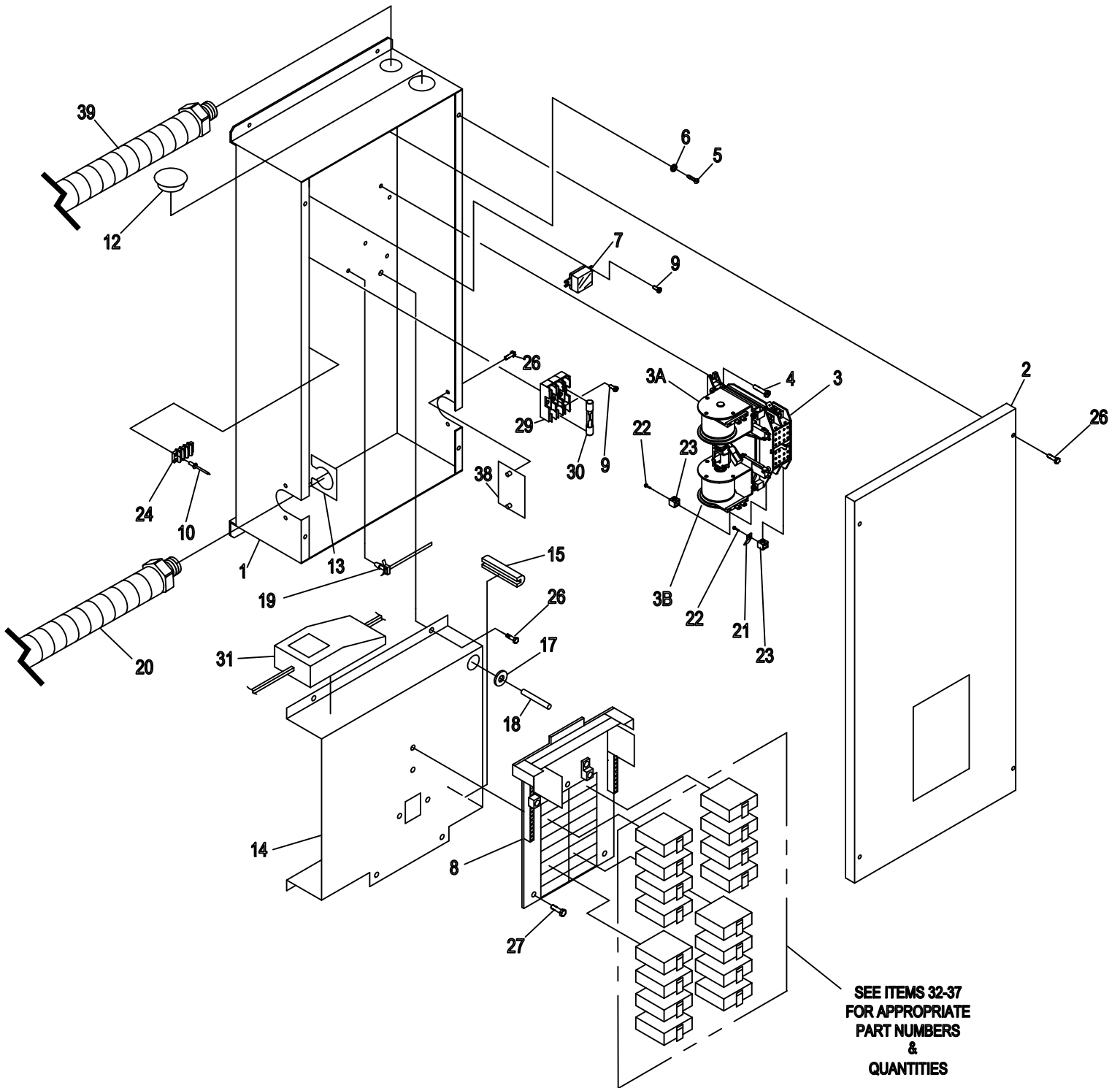
DRAWING #: 0G8786

GROUP D

APPLICABLE TO: 2008 HSB

ITEM	PART #	QTY.	DESCRIPTION
1	0G80700ST14	1	GTS LOAD CENTER ENCLOSURE GRAY
2	0G81010ST14	1	COVER 8 POS GTS LOAD CTR GRAY
	0G81020ST14	1	COVER 10 POS.GTS LOAD CTR GRAY
	0G81030ST14	1	COVER 12 POS.GTS LOAD CTR GRAY
	0G81040ST14	1	COVER 14 POS.GTS LOAD CTR GRAY
	0G81060ST14	1	COVER 16 POS.GTS LOAD CTR GRAY
3	0C2237	1	TRANSFER SWITCH HOME STANDBY 100A 2P 250V
3A	077220	1	COIL UTILITY
3B	077220A	1	COIL STANDBY
4	074908	4	SCREW HHTT M5-0.8 X 10
5	024912	1	SCREW TAPTITE 1/4-20 X 5/8
6	0A1658	1	LOCK WASHER, SPECIAL-1/4"
7	063617	1	RELAY PANEL 12VDC DP DT 10A@240VAC
8	0E7889A	1	8CIR L/CNTR 125A/240V
	0E7889	1	12CIR L/CENTR 125A/240V (ALSO USED FOR 10 CIRCUIT)
	0F9213	1	16CIR L/CENTR 125A/240V (ALSO USED FOR 14 CIRCUIT)
9	0A1495	4	SCREW HHTT M4-0.7 X 10
10	0A1661	2	RIVET POP .156" X .675"
11	-	-	-
12	081108	1	PLUG PLASTIC
13	0G8095AST14	1	HARNESS ADAPTER PLATE GRAY
14	0G81300ST14	1	SUBPLATE GT SLOAD CENTER GRAY
15	0F4790	5.28"	U-CHANNEL
16	023897	6	WASHER FLAT #10 ZINC
17	022717A	1	GROM MET 3/8 X 1/16 X 1/4
18	0E6155	1	ARM EXTENDER PIN
19	0G8233A	4	CABLE TIE SELF MOUNTING 4.3LG
20	0G8138	1	HARN GTS-MAIN PNL 8CIR W/NEUT
	0G8139	1	HARN GTS-MAIN PNL 10CIR W/NEUT
	0G8140	1	HARN GTS-MAIN PNL 12CIR W/NEUT
	0G7955	1	HARN GTS-MAIN PNL 14CIR W/NEUT
	0G8141	1	HARN GTS-MAIN PNL 16CIR W/NEUT
21	074138	3	LUG QUICK DISCONNECT NIS 10X45 DEG BRASS/ TIN
22	036933	6	SCREW PPHM #10-32X3/8
23	077033	6	LUG SL DLSS 1/0-#14X9/16 AL/CU
24	0D4698	1	BLOCK TERM 20A 6 X 3 X 1100V
25	022152	6	WASHER LOCK #10
26	0A7215	10	SCREW SW 1/4"-20 X 5/8" WTH WASHER
-	-	-	-
27	066849	2	SCREW HHTT M5-0.8 X 16 (8, 10, 12, 14, 16 CIRCUIT)
28	0G7954A	1	HARNESS LOAD CTR INT.CONN 8-16 (NOT SHOWN)
	0G7954B	1	HARNESS LOAD CTR INT.CONN T 1 (NOT SHOWN)
	0G7954C	1	HARNESS LOAD CTR INT.CONN T 2 (NOT SHOWN)
29	0D2572	1	FUSEBLOCK 30A 600V 3POS W/SQ
30	073590A	3	FUSE 5A
31	0G8487	1	BATTERY CHARGER ASSY
			8 10 12 14 16 CIRCUIT
32	0E7888	A/R	CIRCUIT BREAKER 20A 2P 1 1 1
33	0E7888A	A/R	CIRCUIT BREAKER 30A 2P 1 1 1
34	0E7888B	A/R	CIRCUIT BREAKER 15A 1P 5 3 5 4 5
35	0E7888C	A/R	CIRCUIT BREAKER 20A 1P 1 3 3 4 5
36	0E7888D	A/R	CIRCUIT BREAKER 40A 2P 1 1 1
37	0E7888E	A/R	CIRCUIT BREAKER 50A 2P 1 1
38	0G80860ST14	1	HARNESS ENTRY COVER GRAY
39	0G7951	1	HARN GTS-EXT CONN BOX 8KW
	0G7952	1	HARN GTS-EXT CONN BOX 10KW
	0G7953	1	HARN GTS-EXT CONN BOX 14/17KW

GROUP D



SEE ITEMS 32-37
FOR APPROPRIATE
PART NUMBERS
&
QUANTITIES

EXPLODED VIEW: GTS LOAD CENTER

DRAWING #: OG8786

GROUP D

APPLICABLE TO: 2008 HSB

ITEM	PART #	QTY.	DESCRIPTION
1	OG80700ST14	1	GTS LOAD CENTER ENCLOSURE GRAY
2	OG81010ST14	1	COVER 8 POS GTS LOAD CTR GRAY
	OG81020ST14	1	COVER 10 POS.GTS LOAD CTR GRAY
	OG81030ST14	1	COVER 12 POS.GTS LOAD CTR GRAY
	OG81040ST14	1	COVER 14 POS.GTS LOAD CTR GRAY
	OG81060ST14	1	COVER 16 POS.GTS LOAD CTR GRAY
3	OC2237	1	TRANSFER SWITCH HOME STANDBY 100A 2P 250V
3A	077220	1	COIL UTILITY
3B	077220A	1	COIL STANDBY
4	074908	4	SCREW HHTT M5-0.8 X 10
5	024912	1	SCREW TAPTITE 1/4-20 X 5/8
6	0A1658	1	LOCK WASHER, SPECIAL-1/4"
7	063617	1	RELAY PANEL 12VDC DPDT 10A@240VAC
8	0E7889A	1	8CIR L/CNTR 125A/240V
	0E7889	1	12CIR L/CENTR 125A/240V (ALSO USED FOR 10 CIRCUIT)
	0F9213	1	16CIR L/CENTR 125A/240V (ALSO USED FOR 14 CIRCUIT)
9	0A1495	4	SCREW HHTT M4-0.7 X 10
10	0A1661	2	RIVET POP .156" X .675"
11	-	-	-
12	081108	1	PLUG PLASTIC
13	OG8095AST14	1	HARNESS ADAPTER PLATE GRAY
14	OG81300ST14	1	SUBPLATE GTS LOAD CENTER GRAY
15	0F4790	2.63"	U-CHANNEL
16	-	-	-
17	022717A	1	GROMMET 3/8 X 1/16 X 1/4
18	0E6155	1	ARM EXTENDER PIN
19	OG8233A	4	CABLE TIE SELF MOUNTING 4.3LG
20	OG8138	1	HARN GTS-MAIN PNL 8CIR W/NEUT
	OG8139	1	HARN GTS-MAIN PNL 10CIR W/NEUT
	OG8140	1	HARN GTS-MAIN PNL 12CIR W/NEUT
	OG7955	1	HARN GTS-MAIN PNL 14CIR W/NEUT
	OG8141	1	HARN GTS-MAIN PNL 16CIR W/NEUT
21	074138	3	LUG QUICK DISCONNECT NI-S 10X45 DEG BRASS / TIN
22	0H0090A	6	SCREW PPHM #10-32X5/16 SEMS SC
23	077033	6	LUG SLDLSS 1/0-#14X9/16 AL/CU
24	0D4698	1	BLOCK TERM 20A 6 X 3 X 1100V
-	-	-	-
26	0A7215	10	SCREW SW 1/4"-20 X 5/8" WITH WASHER
-	-	-	-
27	066849	2	SCREW HHTT M5-0.8 X 16 (8, 10, 12, 14, 16 CIRCUIT)
28	OG7954A	1	HARNESS LOAD CTR INT.CONN 8-16 (NOT SHOWN)
	OG7954B	1	HARNESS LOAD CTR INT.CONN T1 (NOT SHOWN)
	OG7954C	1	HARNESS LOAD CTR INT.CONN T2 (NOT SHOWN)
29	0D2572	1	FUSEBLOCK 30A 600V 3POS W/SQ
30	073590A	3	FUSE 5A
31	OG8487	1	BATTERY CHARGER ASSY
			<u>8 10 12 14 16 CIRCUIT</u>
32	0E7888	A/R	CIRCUIT BREAKER 20A 2P 1 1 1
33	0E7888A	A/R	CIRCUIT BREAKER 30A 2P 1 1 1
34	0E7888B	A/R	CIRCUIT BREAKER 15A 1P 5 3 5 4 5
35	0E7888C	A/R	CIRCUIT BREAKER 20A 1P 1 3 3 4 5
36	0E7888D	A/R	CIRCUIT BREAKER 40A 2P 1 1 1
37	0E7888E	A/R	CIRCUIT BREAKER 50A 2P 1 1
38	OG80860ST14	1	HARNESS ENTRY COVER GRAY
39	OG7951	1	HARN GTS-EXT CONN BOX 8KW
	OG7952	1	HARN GTS-EXT CONN BOX 10KW
	OG7953	1	HARN GTS-EXT CONN BOX 14/17KW